



NDM Rotary Gas Meter



COMMERCIAL

INDUSTRIAL

SUBMETERING

The NMT™ NDM Rotary Gas meter is a positive displacement type gas meter where, unlike other meters, measurement accuracy is not affected by changes in specific gravity, changing pressures or fluctuating flows. With its compact size, ease of maintenance and robust performance the NDM rotary meter is the best choice for gas measurement where accuracy and dependability is required.

FEATURES

- Compact Size
- Robust Design
- Ease of Maintenance
- 100% Sealed Index
- Rotatable Index
- Mounting Versatility
- Pulse Output
- Indoor/Outdoor

DESIGN

- Robust – Rotor shape allows for more stressful pressurization.
- Cartridge Measurement Mechanism – Allows for ease of bearing change and flushout.
- Twin Rotor – Minimizes pulsation of gas flow (16M sizes & up).
- Rotatable Index – Allows for many, flow applications.
- One oil fill location – Allows for tight installations.
- ANSI 150 Flange – 2” thru 6”.
- 1.5" NPT
- Meets EN12480 specifications in a cubic feet index.
- Meets ATEX specifications.

INDEX

- 100% Sealed Index – Outdoor capable.
- 8-Digit Readout – FT3
- Rotatable – Allows for multi flow applications.
- 2-Pulse outputs plus anti-Tamper.
- ATEX Intrinsically Safe.
- UV resistant.

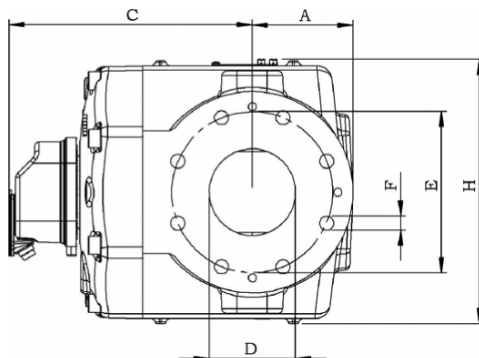
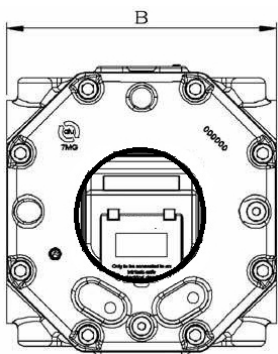
STANDARDS

- EN12480
- ISO9951
- NMi
- ANSI

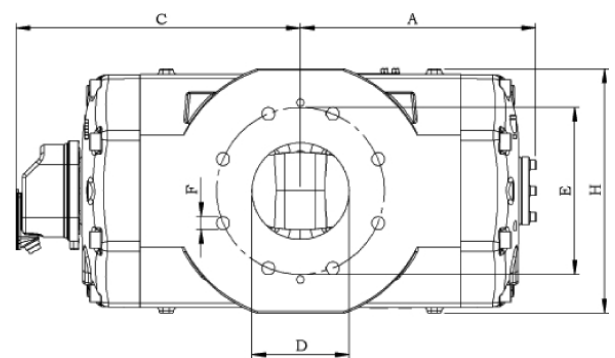
SPECIFICATIONS

SPECIFICATION	UNITS	15C	3M	5M	7M	11M	16M	23M	38M
Base Qmax	ACFH	1500	3000	5000	7000	11000	16000	23000	38000
Max. Operating Pressure	PSIG	85	290						
Temp Range	F	-22F to 140F							
Turndown Ratio		80:1	160:1						
Over Range Capability		25%							
Start Rate	CF	2.12	1.77	2.47	3.50	5.30	21.00	22.75	24.50
Stop Rate	CF	1.41	1.05	1.77	3.15	4.20	17.50	21.00	21.00
Differential 100% Flow	W.C.	0.80	0.81	0.89	1.10	1.58	1.82	1.82	2.04
Min CTR Reading	CF	1	1	1	10	10	100	100	100
Nom Pipe size	IN	1.5" NPT	2	3	3	4	4	6	6
Flange to Flange Dim	IN	4.76	6.73	6.73	9.5	9.5	9.5	9.5	9.5
Bolt Size	IN-UNC	N/A	5/8-11	5/8-11	5/8-11	5/8-11	5/8-11	3/4-10	3/4-10
ANSI Bolt Qty/Flange		N/A	4	4	4	8	8	8	8
Bolt Torque	FT-LB	N/A	30	30	30	30	30	40	40
Meter Oil Capacity (ml)									
Vertical	ml	10	120	120	310	310	310*2	310*2	310*2
Horizontal	ml	8	25	25	70	70	70	70	70
Pulse Rate	CF	10	10	10	10	100	100	100	100
Net Weight	LB	12	22	29	60	66	103	99	123

SIZE	A (in)	B (in)	C (in)	D (in)	E (in)	Bolt Qty	F (mm)	H (in)	Weight (lb)
15C	2.13	4.76	6.73	1.5" NPT	N/A	N/A	N/A	4.96	12
3M	3.35	6.75	7.48	2	4.75	4	5/8	6.89	22
5M	4.06	6.75	8.74	3	6.0	4	5/8	7.25	29
7M	4.02	9.5	9.49	3	6.0	4	5/8	10.18	60
11M	5.16	9.5	16.5	4	7.5	8	5/8	10.13	66
16M	9.65	9.5	12.01	4	7.5	8	5/8	10.40	103
23M	9.65	9.5	12.01	6	9.5	8	3/4	10.40	99
38M	12.4	9.5	14.37	6	9.5	8	3/4	10.27	123



15C thru 11M



16M thru 38M

SIZING

MODEL	15C	3M	5M	7M	11M	16M	23M	38M
Base Rating ACFH	1500	3000	5000	7000	11000	16000	23000	38000
Pressure(psig)	SCFH - 14.7psia @ 60F							
1	1602	3204	5340	7476	11748	17088	24565	40585
2	1704	3408	5680	7952	12497	18177	26129	43170
3	1806	3612	6020	8429	13245	19265	27694	45755
5	2010	4020	6701	9381	14741	21442	30823	50925
10	2520	5041	8401	11762	18483	26884	38646	63850
15	3031	6061	10102	14143	22224	32327	46469	76776
20	3541	7082	11803	16524	25966	37769	54293	89701
25	4051	8102	13503	18905	29707	43211	62116	102626
50	6602	13204	22007	30810	48415	70422	101231	167252
75	9153	18306	30510	42714	67122	97633	140347	231878
100		23408	39014	54619	85830	124844	179463	296503
150		33612	56020	78429	123245	179265	257694	425755
200		43816	73027	102238	160660	233687	335925	555007

NOTES

- 1) MAOP and Maximum Instantaneous flow rate required for proper sizing.
- 2) Fill meter to appropriate oil level before operating.
- 3) Meter should not exceed 25% of above capacities otherwise bearing life will degrade significantly and will void any warranties.
- 4) Gasket or 'Y' strainer with 80mesh screen recommended for ALL meters. Warranty does not cover any debris causing damage.
- 5) Please consult with NMT or distributor for sizing/specifications.